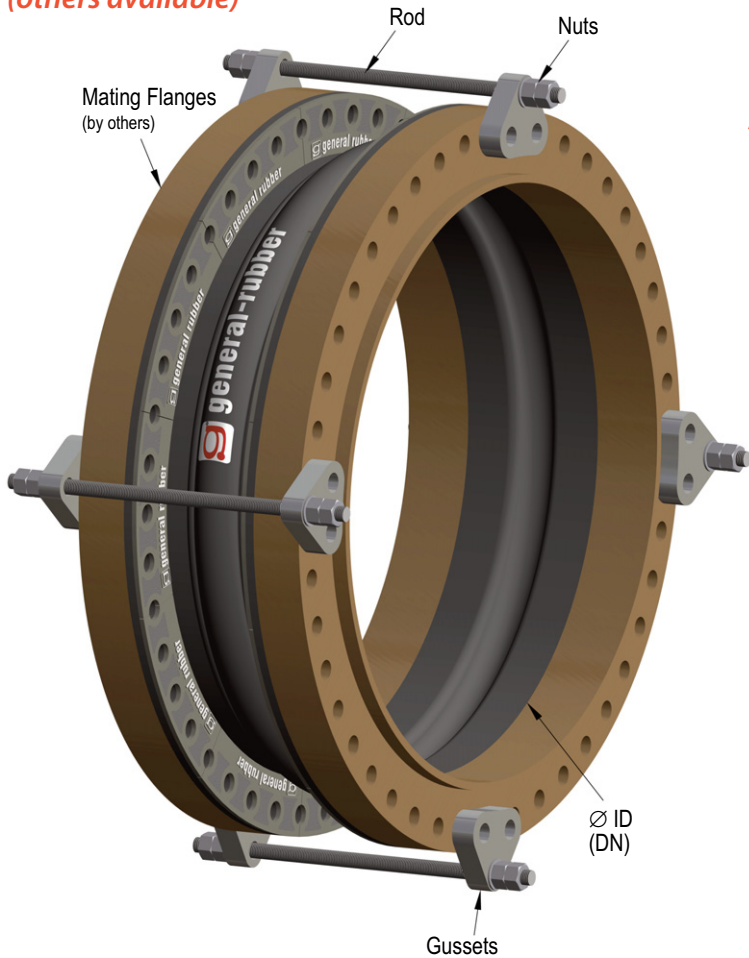


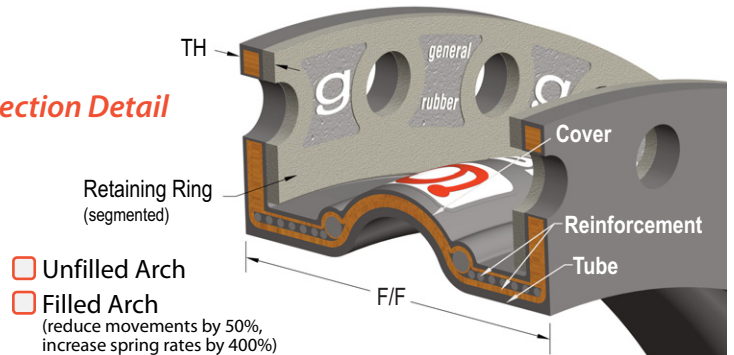
Shown with optional Control Unit W/B  
(others available)

## Style 1101HT Rubber Expansion Joint

Sizes 2" [DN50] - 24" [DN600] | 1101HT-0000-3.16



### Section Detail



- Unfilled Arch
- Filled Arch  
(reduce movements by 50%,  
increase spring rates by 400%)

	Hydrogenated Nitrile (HNBR)	EPDM	Viton® (FKM)
Tube	<input type="checkbox"/>	<input type="checkbox"/>	<input type="checkbox"/>
Cover	<input type="checkbox"/>	<input type="checkbox"/>	<input type="checkbox"/>
	° F [° C]	° F [° C]	° F [° C]
Kevlar® Tire Cord	302 [150]	350 [177]	400 [204]

Bill of Materials		
ITEM	MATERIAL	FINISH
Retaining Ring	<input type="checkbox"/> Carbon Steel	Hot Dipped Galvanized
	<input type="checkbox"/> Stainless Steel	Plain
Gusset	<input type="checkbox"/> Carbon Steel	Hot Dipped Galvanized
	<input type="checkbox"/> Stainless Steel	Plain
Rods	<input type="checkbox"/> ASTM A193 B7 Alloy Steel	Hot Dipped Galvanized
	<input type="checkbox"/> ASTM A193 B8M 316 SS	Plain
Nuts	<input type="checkbox"/> ASTM A194 2H Steel	Hot Dipped Galvanized
	<input type="checkbox"/> ASTM A194 8M 316 SS	Plain
Spherical Washers	<input type="checkbox"/> Stainless Steel	Plain
Metal Reinforcement	High Tensile Steel	Rubber Embedded
Textile Reinforcement	Kevlar® Tire Cord	RFL Coating

### Operational Parameters (customer specified)

Quantity	<input type="text"/>	Size ID (DN)	<input type="text"/>	F/F	<input type="text"/>
Flange Drilling	<input type="text"/>	Pressure	<input type="text"/>	Vacuum	<input type="text"/>

SIZE			MOVEMENT (non-concurrent)					SPRING RATE			PRESSURE	
Size ID in [mm]	Std. Length (F/F) in [mm]	Flange TH. in [mm]	Comp. in [mm]	Ext. in [mm]	Lateral in [mm]	Angular Degrees	Torsional Degrees	Comp. lb/in [N/mm]	Ext. lb/in [N/mm]	Lateral lb/in [N/mm]	Pressure psig [barg]	Vacuum in-Hg [barg]
2 [50]	6 [152]	7/8 [22.2]	1 3/4 [44.4]	7/8 [22.2]	1 [25.4]	39	4	270 [47]	340 [60]	450 [79]	225 [15.5]	30 [-1]
2 1/2 [65]	6 [152]	7/8 [22.2]	1 3/4 [44.4]	7/8 [22.2]	1 [25.4]	33	3.8	340 [60]	420 [74]	480 [84]	225 [15.5]	30 [-1]
3 [80]	6 [152]	7/8 [22.2]	1 3/4 [44.4]	7/8 [22.2]	1 [25.4]	28	3.7	400 [70]	510 [89]	540 [95]	225 [15.5]	30 [-1]
4 [100]	6 [152]	7/8 [22.2]	1 3/4 [44.4]	7/8 [22.2]	1 [25.4]	22	3.6	550 [96]	710 [124]	590 [103]	225 [15.5]	30 [-1]
5 [125]	6 [152]	7/8 [22.2]	1 3/4 [44.4]	7/8 [22.2]	1 [25.4]	18	3.4	670 [117]	880 [154]	710 [124]	225 [15.5]	30 [-1]
6 [150]	6 [152]	7/8 [22.2]	1 3/4 [44.4]	7/8 [22.2]	1 [25.4]	15	3.2	820 [144]	1,050 [184]	790 [138]	225 [15.5]	30 [-1]
8 [200]	6 [152]	7/8 [22.2]	1 3/4 [44.4]	7/8 [22.2]	1 [25.4]	12	3.1	990 [173]	1,160 [203]	960 [168]	225 [15.5]	30 [-1]
10 [250]	8 [203]	7/8 [22.2]	2 [50.8]	1 [25.4]	1 1/4 [31.8]	17	3	960 [168]	1,170 [205]	820 [144]	225 [15.5]	30 [-1]
12 [300]	8 [203]	7/8 [22.2]	2 [50.8]	1 [25.4]	1 1/4 [31.8]	14	2.9	1,010 [177]	1,250 [219]	970 [170]	225 [15.5]	30 [-1]
14 [350]	8 [203]	1 [25.4]	2 1/4 [57.2]	1 1/8 [28.6]	1 1/4 [31.8]	12	2.8	1,080 [189]	1,300 [228]	1,140 [200]	220 [15.2]	30 [-1]
16 [400]	8 [203]	1 [25.4]	2 1/4 [57.2]	1 1/8 [28.6]	1 1/4 [31.8]	11	2.7	1,150 [201]	1,390 [243]	1,320 [231]	160 [11]	30 [-1]
18 [450]	8 [203]	1 [25.4]	2 1/4 [57.2]	1 1/8 [28.6]	1 1/4 [31.8]	10	2.6	1,220 [214]	1,570 [275]	1,450 [254]	160 [11]	30 [-1]
20 [500]	8 [203]	1 [25.4]	2 1/4 [57.2]	1 1/8 [28.6]	1 1/4 [31.8]	9	2.5	1,280 [224]	1,750 [306]	1,620 [284]	130 [9]	30 [-1]
24 [600]	10 [254]	1 1/8 [28.6]	2 1/2 [63.5]	1 1/4 [31.8]	1 3/8 [34.9]	8	2.4	1,730 [303]	2,100 [368]	1,740 [305]	130 [9]	30 [-1]

Available in standard or custom face-to-face dimensions, multiple arches or custom offset arrangements and sizes not shown.

Contact General Rubber Corporation for full product specifications, Warnings and installation instructions.