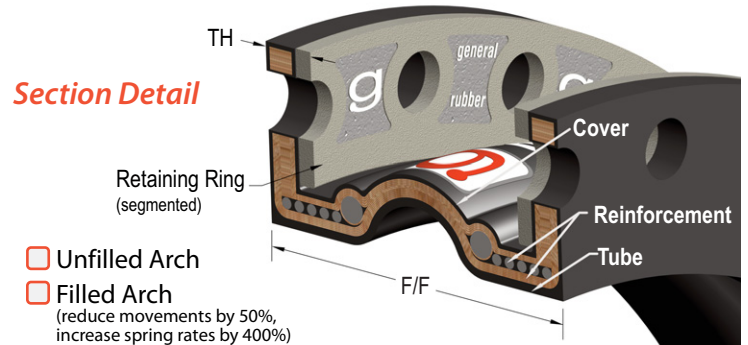
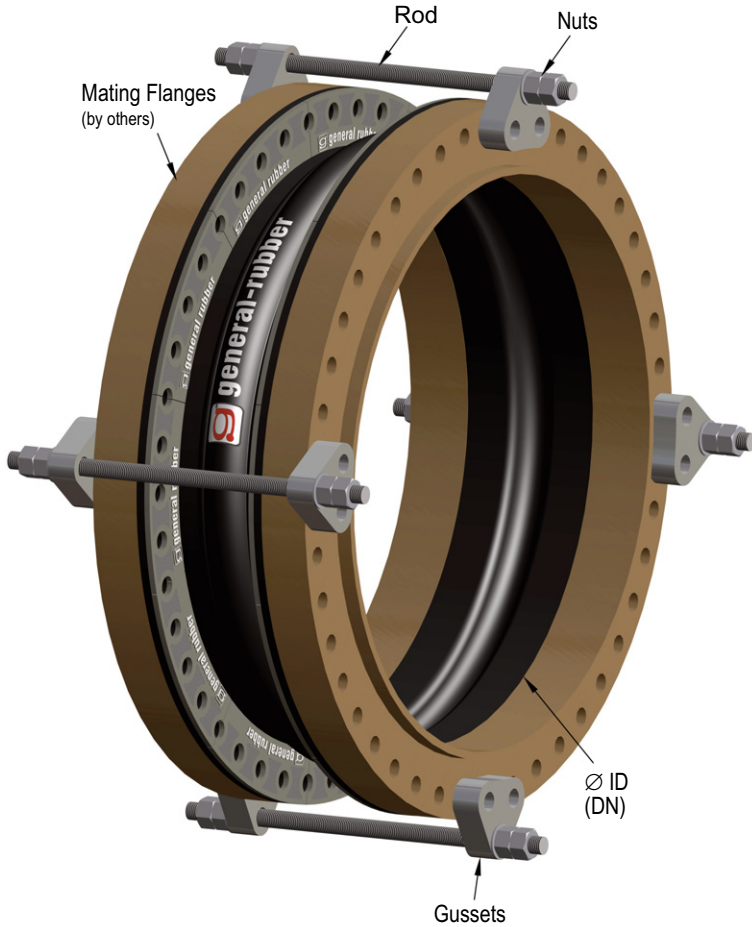


Shown with optional Control Unit W/B
(others available)

Style 1101HP Rubber Expansion Joint

Sizes 2" [DN50] - 24" [DN600] | 1101HP-0000-6.19



	Pure Gum	Neoprene	Butyl	Nitrile (Buna-N)	EPDM	Viton® (FKM)
Tube	<input type="checkbox"/>	<input type="checkbox"/>	<input type="checkbox"/>	<input type="checkbox"/>	<input type="checkbox"/>	<input type="checkbox"/>
Cover	<input type="checkbox"/>	<input type="checkbox"/>	<input type="checkbox"/>	<input type="checkbox"/>	<input type="checkbox"/>	<input type="checkbox"/>
Tire Cord:	° F [° C]	° F [° C]	° F [° C]	° F [° C]	° F [° C]	° F [° C]
<input type="checkbox"/> Polyester	180 [82]	225 [107]	250 [121]	210 [99]	250 [121]	250 [121]
<input type="checkbox"/> Kevlar®	180 [82]	225 [107]	300 [149]	210 [99]	350 [177]	400 [204]

Maximum Temperature rating based on lowest temperature material selected. EPDM or Butyl w/Polyester Tire Cord rated 300°F (149°C) for Air Service up to 25 psig (1.7 barg)

Bill of Materials

ITEM	MATERIAL	FINISH
Retaining Ring	<input type="checkbox"/> Carbon Steel	Hot Dipped Galvanized
	<input type="checkbox"/> Stainless Steel	Plain
Gusset	<input type="checkbox"/> Carbon Steel	Hot Dipped Galvanized
	<input type="checkbox"/> Stainless Steel	Plain
Rods	<input type="checkbox"/> ASTM A193 B7 Alloy Steel	Hot Dipped Galvanized
	<input type="checkbox"/> ASTM A193 B8M 316 SS	Plain
Nuts	<input type="checkbox"/> ASTM A194 2H Steel	Hot Dipped Galvanized
	<input type="checkbox"/> ASTM A194 8M 316 SS	Plain
Spherical Washers	<input type="checkbox"/> Stainless Steel	Plain
Metal Reinforcement	High Tensile Steel	Rubber Embedded
Textile Reinforcement	Tire Cord	RFL Coating

Operational Parameters (customer specified)

Quantity	<input type="text"/>	Size ID (DN)	<input type="text"/>	F/F	<input type="text"/>
Flange Drilling	<input type="text"/>	Pressure	<input type="text"/>	Vacuum	<input type="text"/>

Size ID in [mm]	SIZE		MOVEMENT (non-concurrent)					SPRING RATE			PRESSURE	
	Std. Length (F/F) in [mm]	Flange TH. in [mm]	Comp. in [mm]	Ext. in [mm]	Lateral in [mm]	Angular Degrees	Torsional Degrees	Comp. lb/in [N/mm]	Ext. lb/in [N/mm]	Lateral lb/in [N/mm]	Pressure psig [barg]	Vacuum in-Hg [barg]
2 [50]	6 [152]	7/8 [22.2]	1 3/4 [44.4]	7/8 [22.2]	1 [25.4]	39	4	338 [59]	425 [74]	563 [99]	350 [24.1]	30 [-1]
2 1/2 [65]	6 [152]	7/8 [22.2]	1 3/4 [44.4]	7/8 [22.2]	1 [25.4]	33	3.8	425 [74]	525 [92]	600 [105]	350 [24.1]	30 [-1]
3 [80]	6 [152]	7/8 [22.2]	1 3/4 [44.4]	7/8 [22.2]	1 [25.4]	28	3.7	500 [88]	638 [112]	675 [118]	350 [24.1]	30 [-1]
4 [100]	6 [152]	7/8 [22.2]	1 3/4 [44.4]	7/8 [22.2]	1 [25.4]	22	3.6	688 [120]	888 [156]	738 [129]	350 [24.1]	30 [-1]
5 [125]	6 [152]	7/8 [22.2]	1 3/4 [44.4]	7/8 [22.2]	1 [25.4]	18	3.4	838 [147]	1,100 [193]	888 [156]	300 [20.7]	30 [-1]
6 [150]	6 [152]	7/8 [22.2]	1 3/4 [44.4]	7/8 [22.2]	1 [25.4]	15	3.2	1,025 [180]	1,313 [230]	988 [173]	250 [17.2]	30 [-1]
8 [200]	6 [152]	7/8 [22.2]	1 3/4 [44.4]	7/8 [22.2]	1 [25.4]	12	3.1	1,238 [217]	1,450 [254]	1,200 [210]	300 [20.7]	30 [-1]
10 [250]	8 [203]	7/8 [22.2]	2 [50.8]	1 [25.4]	1 1/4 [31.8]	17	3	1,200 [210]	1,463 [256]	1,025 [180]	300 [20.7]	30 [-1]
12 [300]	8 [203]	7/8 [22.2]	2 [50.8]	1 [25.4]	1 1/4 [31.8]	14	2.9	1,263 [221]	1,563 [274]	1,213 [212]	275 [19]	30 [-1]
14 [350]	8 [203]	1 [25.4]	2 1/4 [57.2]	1 1/8 [28.6]	1 1/4 [31.8]	12	2.8	1,350 [236]	1,625 [285]	1,425 [250]	260 [17.9]	30 [-1]
16 [400]	8 [203]	1 [25.4]	2 1/4 [57.2]	1 1/8 [28.6]	1 1/4 [31.8]	11	2.7	1,438 [252]	1,738 [304]	1,650 [289]	225 [15.5]	30 [-1]
18 [450]	8 [203]	1 [25.4]	2 1/4 [57.2]	1 1/8 [28.6]	1 1/4 [31.8]	10	2.6	1,525 [267]	1,963 [344]	1,813 [318]	200 [13.8]	30 [-1]
20 [500]	8 [203]	1 [25.4]	2 1/4 [57.2]	1 1/8 [28.6]	1 1/4 [31.8]	9	2.5	1,600 [280]	2,188 [383]	2,025 [355]	180 [12.4]	30 [-1]
24 [600]	10 [254]	1 1/8 [28.6]	2 1/2 [63.5]	1 1/4 [31.8]	1 3/8 [34.9]	8	2.4	2,163 [379]	2,625 [460]	2,175 [381]	150 [10.3]	30 [-1]

Available in standard or custom face-to-face dimensions, multiple arches or custom offset arrangements and sizes not shown.

Contact General Rubber Corporation for full product specifications, Warnings and installation instructions.