

# SoundZorber®

## Horizontally Restrained Spring Mounts

## Style MSC

Horizontally Restrained Spring Mounts

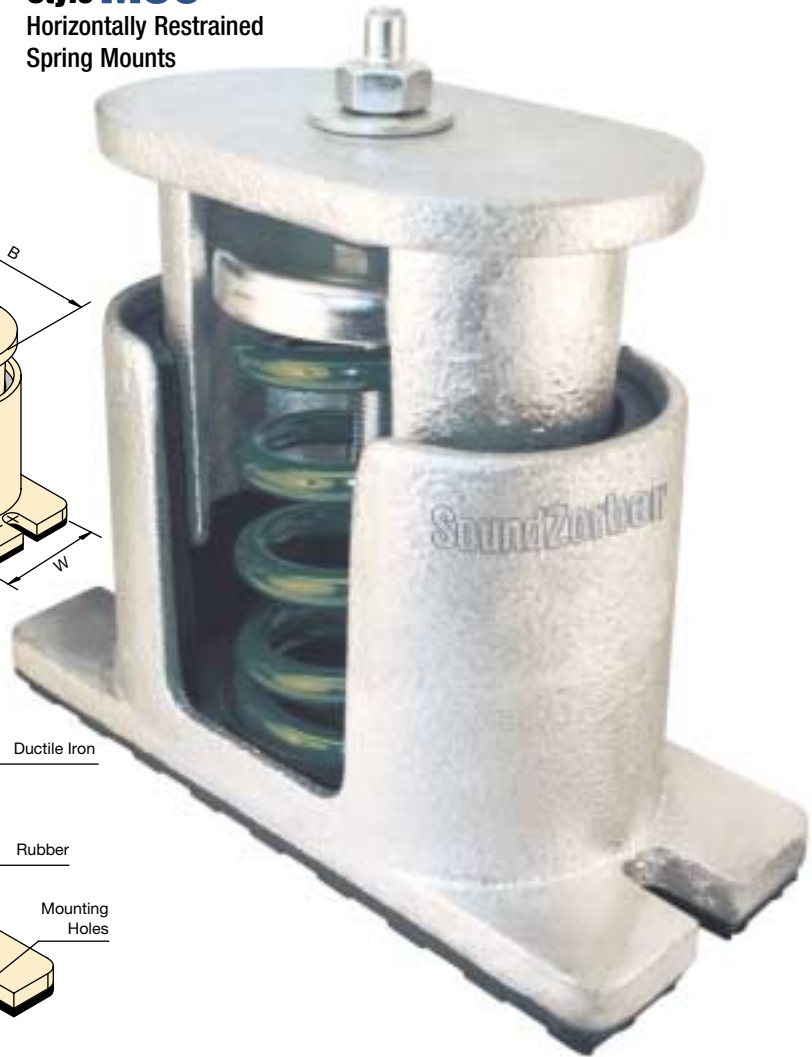
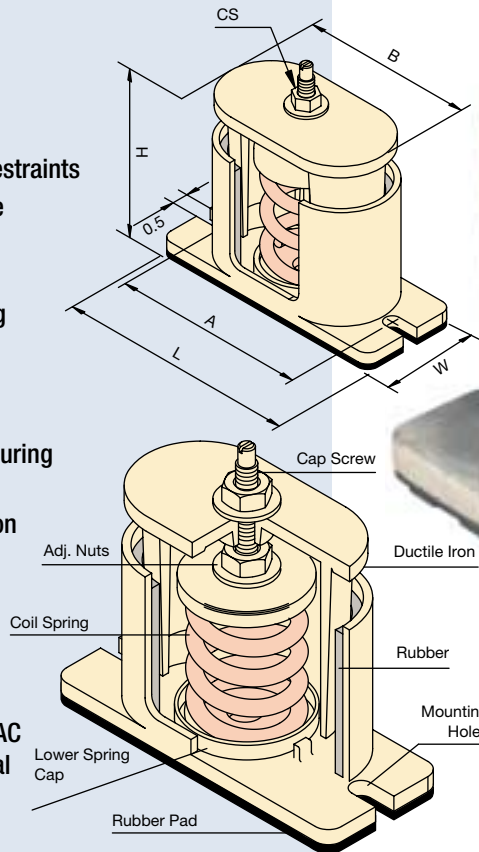
### Style MSC

#### Features:

- "C" Shaped Horizontal Restraints
- Non-Skid Bolt Down Base
- Isolates Low and High Frequency Vibration
- Rugged Cast Iron Housing
- 1-3" Deflection Springs Available
- Neoprene Sponge Prevents Metal Contact During Horizontal Loading
- Allows for Easy Installation and Inspection

#### Applications:

- Floor Mounted Pumps, Chillers, Compressors, Generators and Other HVAC Equipment with Horizontal Loads and/or Motion



TYPE	DIMENSIONS					
	L (inch)	W (inch)	A (inch)	B (inch)	H (inch)	CS (inch)
MSCM	8.27	3.39	7.28	5.87	7.28	M12
MSCN	8.27	3.39	7.28	5.87	7.28	M12
MSCS	5.91	2.56	5.12	4.09	5.12	M10

PART NUMBER	RATED CAPACITY (lbs)	SPRING RATE (lbs/inch)	RATED DEFL. (inch)	COLOR CODE	PART NUMBER	RATED CAPACITY (lbs)	SPRING RATE (lbs/inch)	RATED DEFL. (inch)	COLOR CODE
MSCS-0A	40	40	1.0	Yellow	MSCM-1-7	677	677	1.0	Red/Black
MSCS-0B	60	60	1.0	Green	MSCM-1-8	794	794	1.0	Blue/Black
MSCS-1	100	100	1.0	Red	MSCM-1-9	880	880	1.0	Brown
MSCS-1A	150	150	1.0	Blue	MSCM-1-10	1070	1070	1.0	Brown/Black
MSCS-2	200	200	1.0	Brown	MSCM-1-12	1262	1262	1.0	Gray
MSCS-3	260	260	1.0	Gray	MSCM-1-14	1452	1452	1.0	Gray/Black
MSCS-3A	330	330	1.0	White	MSCM-1-18	1875	1875	1.0	Khaki
MSCS-4	400	400	1.0	Orange	MSCM-1-22	2200	2200	1.0	Green
MSCS-5	550	500	1.0	Purple	MSCN-1-3	293	196	1.5	Blue
MSCS-8	750	750	1.0	Khaki	MSCN-1-4	411	274	1.5	Brown
					MSCN-1-6	578	386	1.5	Orange
MSCM-1-2	235	235	1.0	Yellow	MSCN-1-7	721	481	1.5	Gray
MSCM-1-3	296	296	1.0	White	MSCN-1-10	997	665	1.5	Red
MSCM-1-4	397	397	1.0	Green	MSCN-1-14	1358	905	1.5	Green
MSCM-1-5	487	487	1.0	Red	MSCN-1-16	1534	1023	1.5	Purple
MSCM-1-6	604	604	1.0	Blue	MSCN-1-22	2230	1486	1.5	Yellow

