

SoundZorber®

Air Springs

Style MAR

Air Springs

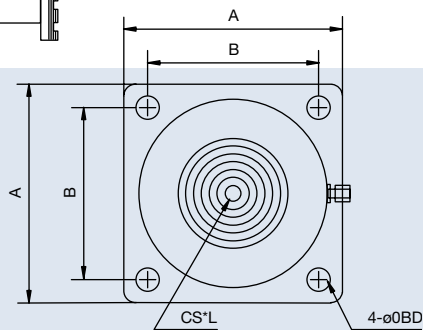
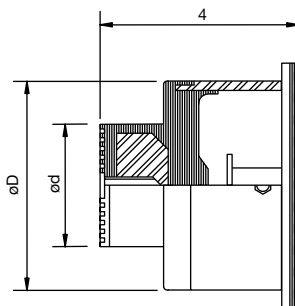
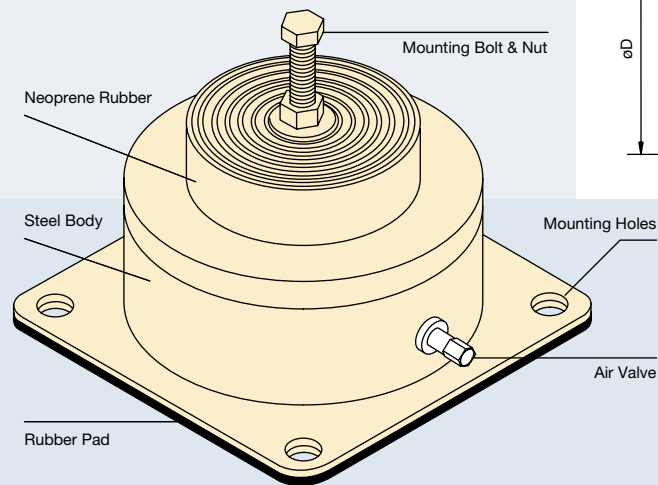
Style MAR

Features:

- Lowest Natural Frequency of Support, Provides the Highest Range of Frequencies Isolated
- Rugged Welded Steel and Molded Rubber Construction
- Non-Skid Bolt Down Base

Applications:

- Ideal for Sensitive Measuring Equipment and Other HVAC Equipment Located in Sensitive Building Locations



TYPE	LOAD RANGE		DIMENSIONS										CENTER BOLTS CS*L
	(lbs)	(kgs)	A (inch)	B (inch)	D (inch)	d (inch)	BD (inch)	A (mm)	B (mm)	D (mm)	d (mm)	BD (mm)	
MAR-2	100-200	50-100	4.92	3.94	3.94	1.97	0.47	125	100	100	50	12	M10-40L
MAR-4	200-400	100-200	4.92	3.94	3.94	2.36	0.47	125	100	100	60	12	M12-50L
MAR-8	400-800	200-400	6.30	4.92	5.43	3.54	0.47	160	125	138	90	12	M12-50L
MAR-15	800-1500	400-750	7.87	6.30	6.46	4.33	0.47	200	160	164	110	12	M12-50L
MAR-25	1400-2500	700-1250	9.84	7.87	8.35	5.91	0.55	250	200	212	150	14	M16-60L
MAR-45	2400-4500	1200-2250	13.78	11.81	12.36	9.45	0.55	350	300	314	240	14	M16-60L
MAR-75	4000-7500	2000-3500	19.69	17.72	16.22	12.99	0.63	500	450	412	330	16	M16-60L

