

SoundZorber®

Spring Hangers

Style HSR

Spring Hangers

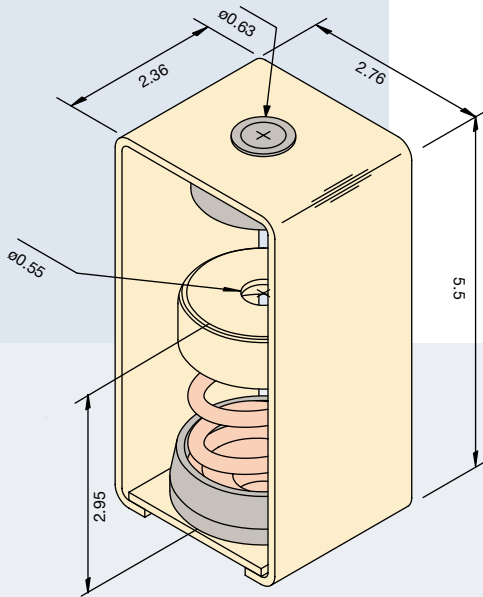
Style HSR

Features:

- Rugged Welded Steel Housing
- Isolates Low and High Frequency Vibration
- External Deflection Scale Standard
- Allows for Easy Installation and Inspection

Applications:

- Suspended Piping, Ducting, Fans, Air Handling Units, Ceilings and Other HVAC Equipment



PART NUMBER	RATED CAPACITY (lbs)	SPRING RATE (lbs/inch)	RATED DEFL. (inch)	COLOR CODE
HSR-0A	40	40	1.0	Yellow
HSR-0B	60	60	1.0	Green
HSR-1	100	100	1.0	Red
HSR-1A	150	150	1.0	Blue
HSR-2	200	200	1.0	Brown
HSR-3	260	260	1.0	Gray
HSR-3A	330	330	1.0	White

