

SoundZorber®

Pump Bases

Style BCB

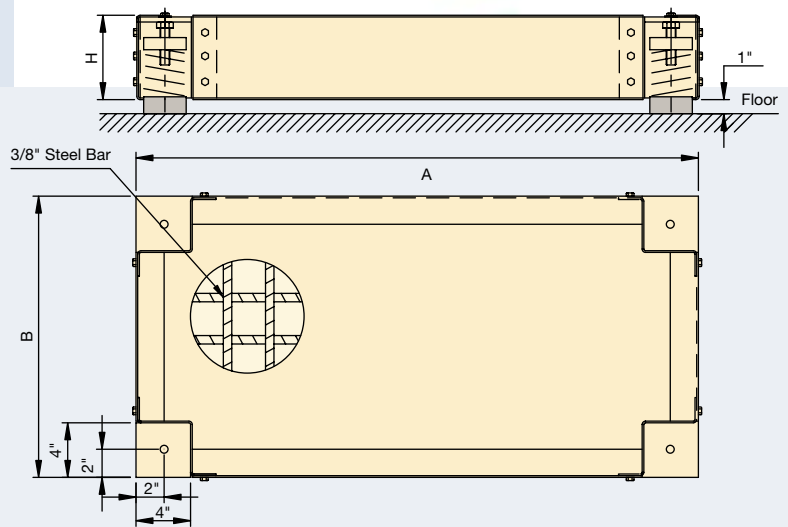
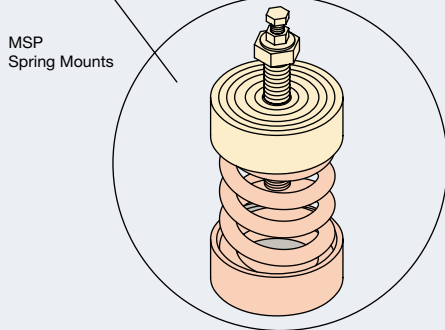
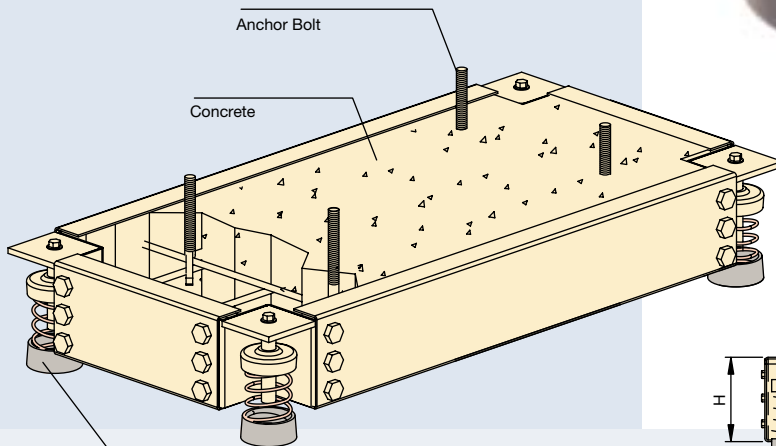
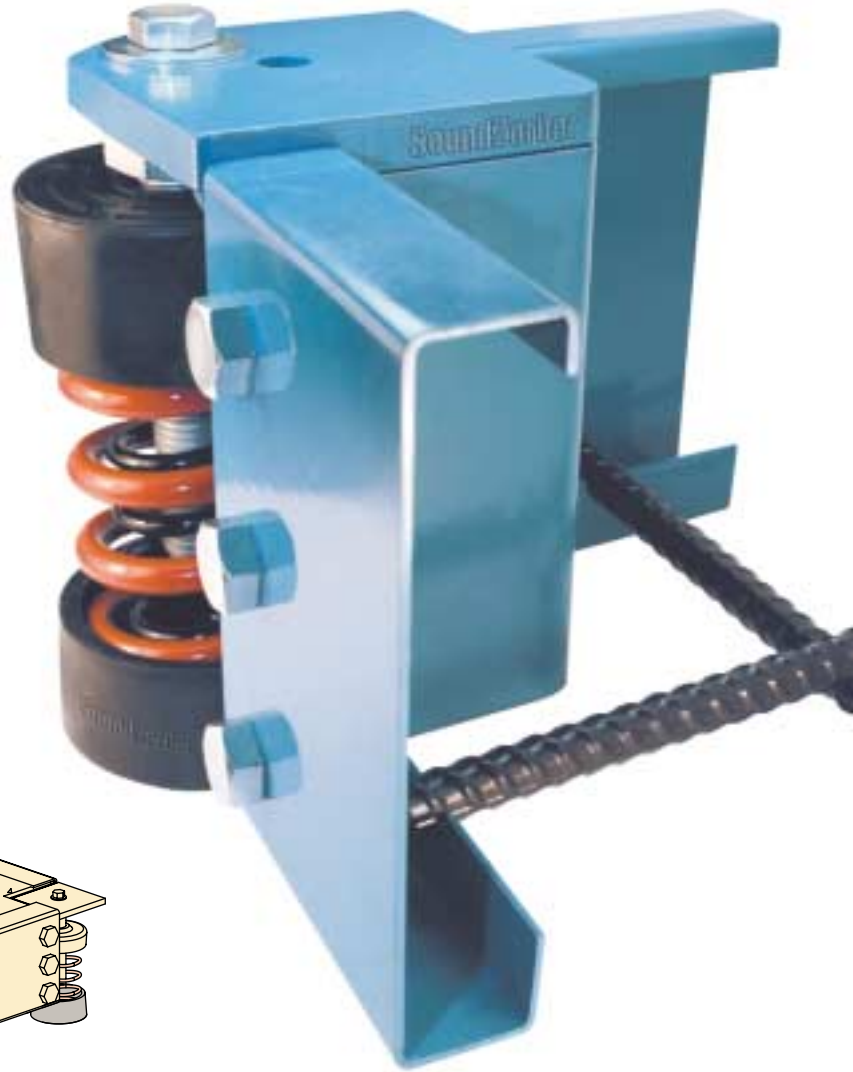
Features:

- Bolted Modular Construction Minimizes On-Site Labor
- Adds Mass and Stiffness to Equipment Supports
- Simple to Install, Just Add Concrete
- Isolates Low and High Frequency Vibration
- Lowers Vibration Oscillation, Caused by Equipment with High Unbalanced Forces

Applications:

- Rigid Structural Support for Pumps and Other HVAC Equipment

Style BCB Pump Bases



TYPE	DIMENSIONS									
A&B (inch)	18	24	30	36	42	48	54	60	66	72
H (inch)	6	6	6	6	6	6	6	6	6	6

