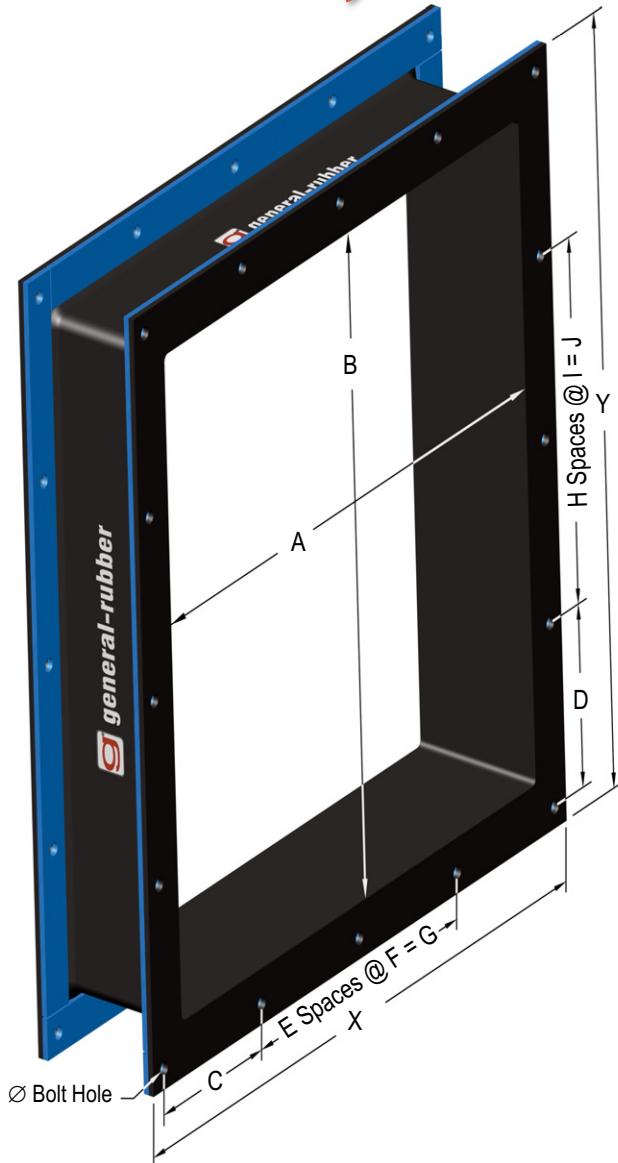
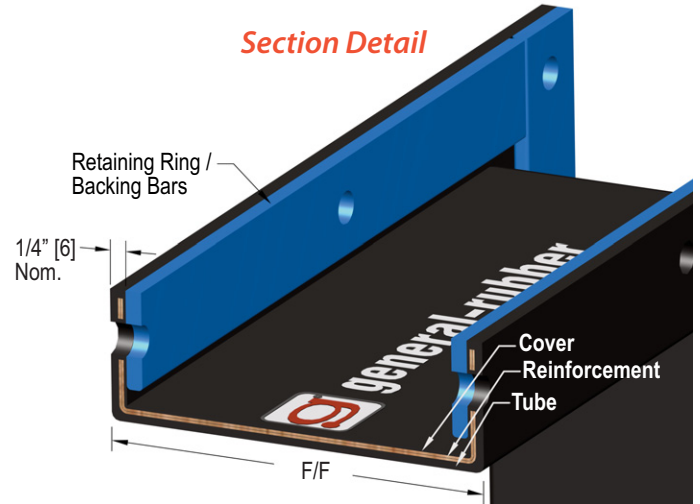


Style 9100 Rectangular Rubber Flanged Versatile

9100 Rectangular-0000-7.17



Section Detail



	Pure Gum	Neoprene	Butyl	Nitrile (Buna-N)	EPDM	Viton® (FKM)
Tube	<input type="checkbox"/>	<input type="checkbox"/>	<input type="checkbox"/>	<input type="checkbox"/>	<input type="checkbox"/>	<input type="checkbox"/>
Cover	<input type="checkbox"/>	<input type="checkbox"/>	<input type="checkbox"/>	<input type="checkbox"/>	<input type="checkbox"/>	<input type="checkbox"/>
Tire Cord:	° F [° C]	° F [° C]	° F [° C]	° F [° C]	° F [° C]	° F [° C]
<input type="checkbox"/> Polyester	180 [82]	225 [107]	250 [121]	210 [99]	250 [121]	250 [121]
<input type="checkbox"/> Kevlar®	180 [82]	225 [107]	300 [149]	210 [99]	350 [177]	400 [204]

Maximum Temperature rating based on lowest temperature material selected. EPDM or Butyl w/Polyester rated 300°F (149°C) for Air Service up to 3 psig (0.2 barg)

Bill of Materials

ITEM	MATERIAL	FINISH
Retaining Ring / Backing Bars	<input type="checkbox"/> Carbon Steel	Shop Prime
	<input type="checkbox"/> Stainless Steel	Plain
Textile Reinforcement	Tire Cord	RFL Coating

Operational Parameters (customer specified)

Size ID (DN) <input type="text"/>	BC <input type="text"/>	OD <input type="text"/>	Pressure <input type="text"/>	F/F <input type="text"/>
Hole Dia. <input type="text"/>	No. Holes <input type="text"/>	Qty <input type="text"/>	Vacuum <input type="text"/>	

SIZE Installed Lengths F/F in [mm]	MOVEMENT (non-concurrent)			PRESSURE	
	Comp. in [mm]	Ext. in [mm]	Lateral in [mm]	Pressure psig [barg]	Vacuum psig [barg]
6 [152]	3/4 [19]	1/4 [6]	1/2 [13]	3 [0.2]	-3 [-0.2]
9 [229]	1 1/4 [32]	1/4 [6]	3/4 [19]	3 [0.2]	-3 [-0.2]
12 [305]	2 [51]	1/2 [13]	1 [25]	3 [0.2]	-3 [-0.2]
16 [406]	3 [76]	1/2 [13]	1 1/2 [38]	3 [0.2]	-3 [-0.2]

Available in round or rectangular, hot dipped galvanized rings / bars, custom offsets as well as reducing arrangements. Available in external or internal flanges. Extension movement capabilities can be increased with additional pre-compression during installation.