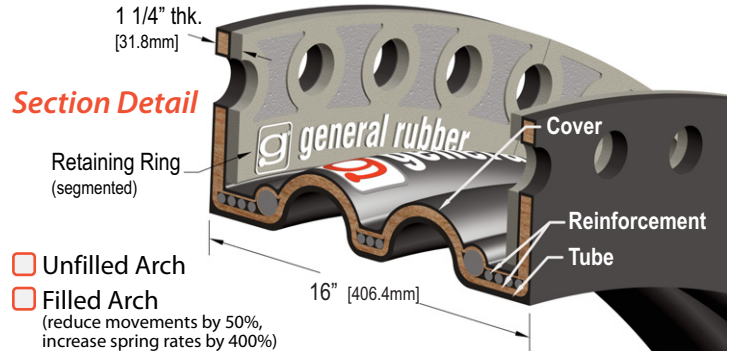


Shown with
Control Unit
W/B

Style 1102 Rubber Expansion Joint

96" ID x 16" F/F (DN2400mm x 406.4mm) - 150-lb Drilling | 1102-0096-3.16



- Unfilled Arch
- Filled Arch
(reduce movements by 50%,
increase spring rates by 400%)

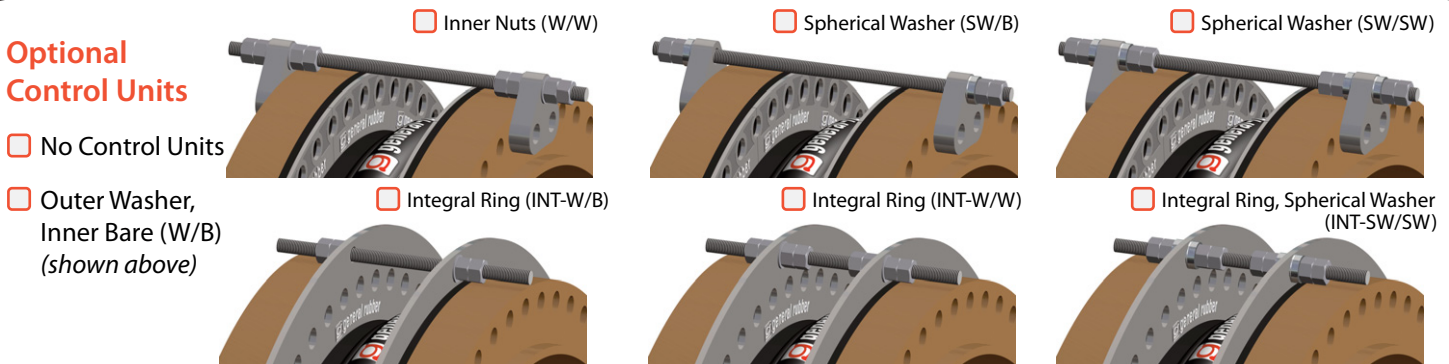
| | Pure Gum | Neoprene | Butyl | Nitrile (Buna-N) | EPDM | Viton® (FKM) |
|------------------------------------|--------------------------|--------------------------|--------------------------|--------------------------|--------------------------|--------------------------|
| Tube | <input type="checkbox"/> | <input type="checkbox"/> | <input type="checkbox"/> | <input type="checkbox"/> | <input type="checkbox"/> | <input type="checkbox"/> |
| Cover | <input type="checkbox"/> | <input type="checkbox"/> | <input type="checkbox"/> | <input type="checkbox"/> | <input type="checkbox"/> | <input type="checkbox"/> |
| Tire Cord: | ° F [° C] | ° F [° C] | ° F [° C] | ° F [° C] | ° F [° C] | ° F [° C] |
| <input type="checkbox"/> Polyester | 180 [82] | 225 [107] | 250 [121] | 210 [99] | 250 [121] | 250 [121] |
| <input type="checkbox"/> Kevlar® | 180 [82] | 225 [107] | 300 [149] | 210 [99] | 350 [177] | 400 [204] |

Maximum Temperature rating based on lowest temperature material selected. EPDM or Butyl w/Polyester Tire Cord rated 300°F (149°C) for Air Service up to 25 psig (1.7 barg)

Bill of Materials

| ITEM | MATERIAL | FINISH |
|-----------------------|---|-----------------------|
| Retaining Ring | <input type="checkbox"/> Carbon Steel | Hot Dipped Galvanized |
| | <input type="checkbox"/> Stainless Steel | Plain |
| Gusset | <input type="checkbox"/> Carbon Steel | Hot Dipped Galvanized |
| | <input type="checkbox"/> Stainless Steel | Plain |
| Rods | <input type="checkbox"/> ASTM A193 B7 Alloy Steel | Hot Dipped Galvanized |
| | <input type="checkbox"/> ASTM A193 B8M 316 SS | Plain |
| Nuts | <input type="checkbox"/> ASTM A194 2H Steel | Hot Dipped Galvanized |
| | <input type="checkbox"/> ASTM A194 8M 316 SS | Plain |
| Spherical Washers | <input type="checkbox"/> Stainless Steel | Plain |
| Metal Reinforcement | High Tensile Steel | Rubber Embedded |
| Textile Reinforcement | Tire Cord | RFL Coating |

| MOVEMENT (non-concurrent) | | | | | SPRING RATE | | | | | PRESSURE | | WEIGHT | |
|---------------------------|--------------|-----------------|--------------|----------------|--------------------|-------------------|----------------------|-----------------------------|-------------------------------|----------------------|---------------------|-------------------------|-----------------------|
| Comp. in [mm] | Ext. in [mm] | Lateral in [mm] | Angular deg. | Torsional deg. | Comp. lb/in [N/mm] | Ext. lb/in [N/mm] | Lateral lb/in [N/mm] | Angular ft-lb/deg [N-m/deg] | Torsional ft-lb/deg [N-m/deg] | Pressure psig [barg] | Vacuum in-Hg [barg] | RBJ with Rings lbs [kg] | Control Unit lbs [kg] |
| 5 [127] | 2 1/2 [63.5] | 3 [76.2] | 4 | 2.4 | 3,825 [670] | 5,050 [884] | 4,535 [794] | 7,438 [10,084] | 12,805 [17,361] | 80 [5.5] | 10 [-0.3] | 1,583 [719] | 565 [257] |



*No. of Rods: 2 Rods / 20 psig 3 Rods / 30 psig 4 Rods / 41 psig 5 Rods / 51 psig 6 Rods / 61 psig 7 rods / 72 psig 8 Rods / 80 psig

*Gusset thickness and pressures listed above are for carbon steel gussets and ASTM A193 B7 rods. Contact General Rubber for stainless steel pressures and thicknesses. Contact General Rubber Corporation for full product specifications, Warnings and installation instructions.